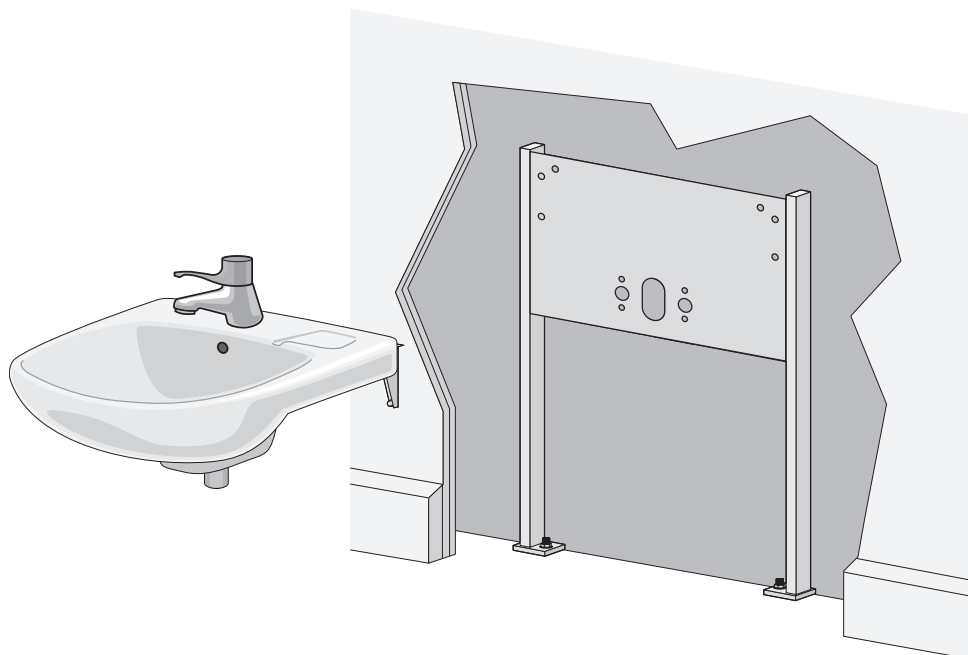


Floor mounted jig for hand basin



JIGS has been developed in order to allow a straightforward fitting of sanitary equipment, to be wall mounted

This is the case with walls made of gypsum or similar material.

The construction is made of rectangular profiles, bent steel plate and reinforced with flat bar steel. In order to eliminate damage due to storage and handling at the builder's yard, the jig is seal wrapped at the factory.

The fixtures are delivered complete with necessary bolts for wall brackets.

Cover plate can be delivered. Scandinavian washbasin

RSK No.	Fit washbasin	Part No.
809 74 17	GBG 2600, 2700 IDO 185 IFÖ 2322 IFÖ 2630, 2642*)	31.000
809 74 18	bolt mounted washbasin, M12 bolt c/c=350	31.100
809 74 19	IDO 181 IFÖ 2332	31.200
809 74 20	GBG 2500 IDO 189 IDO 372 IFÖ 2318	31.300

Måttuppgifter se sid 10:100:2

*) För fasta konsoler