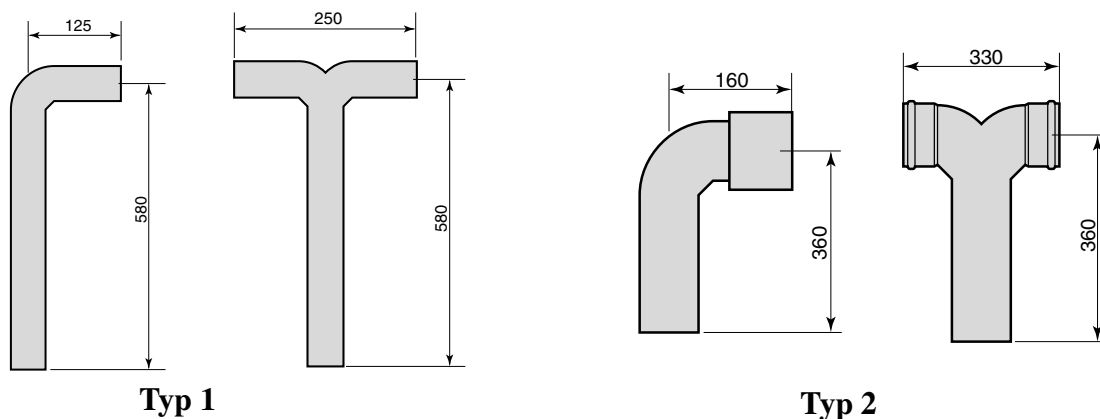


Seal joint for sanitary equipments (drainage connections for sanitary equipments)



There are two types of (drainage-connections) seal joint available: single and double. They fit different types of the most frequent sanitary equipments such as Washbasin, slop basin wall hanged. WC, bide, sink and various hospital equipments. The seal joint are made of PEH.

Type 1

| RSK No. | Fit | Art.nr |
|-----------|--|-----------|
| 807 09 04 | washbasin; single, seal joint, dia. 50 | 40.100 |
| 807 09 05 | washbasin; double, seal joint, dia. 50 | 40.110 |
| | washbasin; single, seal joint, dia. 40 | 40.100_40 |
| 807 09 06 | sink; single, ring seal joint, dia. 50 | 40.200 |
| | sink; double, ring seal joint, dia. 50 | 40.201 |

Type 2

| RSK No. | Fit | Art.nr |
|-----------|--|--------|
| 807 09 00 | WC IDO, IFÖ, GBG; single, seal joint, dia. 110 | 40.000 |
| 807 09 02 | WC GBG; single, ring seal joint, dia. 110 | 40.001 |
| 807 09 01 | WC IDO, IFÖ, GBG; double, seal joint, dia. 110 | 40.010 |
| 807 09 03 | WC GBG; double; ring seal joint, dia. 110 | 40.011 |